

Hitachi Crawler Crane Top Roller



1. Hitachi Top Roller /Upper Roller /Carrier Roller Specification:

Technology	Forged Crawler Crane Top Roller
Feature	Heat treated Top Roller
Material	40Mn2,50Mn
Bearing Type	Rolling
Warranty	2000 Working Hours
Hot-Sale	KH180-3 Top Roller, KH125-2 Upper Roller, CX500 Top Roller, KH100 Upper Roller

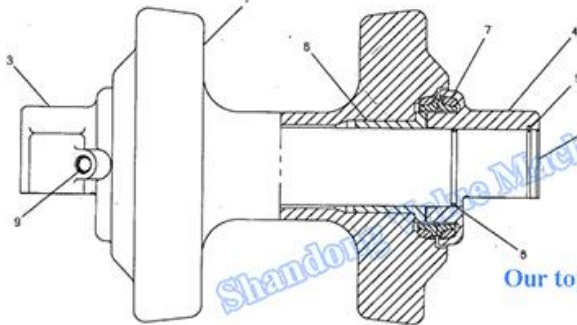
2. Hitachi Top Rollers are suitable for those model:

Hitachi	KH70, KH100, KH100-1, KH100D, KH125, KH125-2, KH125-3, KH150, KH150-2, KH150-3, KH180, KH180-2, KH180-3, KH230, KH230-3, KH250HD, KH300, KH300-2, KH300-3, KH500-2, KH500-3, KH700-2, KH850, KH1000, U106A, TH55; CX300, CX350, CX500, CX550, CX650, CX700, CX900, CX1000, CX1100, CX1800, CX2000, PD7, PD80, PD90, PD100
---------	---

3. Hitachi Upper Roller Assembly:

1). Our Upper roller assembly includes Roller, Pin, Collar, Ring, Bushing, Seal, Floating, O-Ring, Plug.

Top Roller/Upper Roller Assy



符号 ITEM	部品番号 PART No.	PART NAME	部品名	数量 QTY
	JJ64000002F1	ROLLER ASSY, UPP	0-3 7x2, 7x2	1
1	JJ64001006P1	ROLLER	0-3	1
2	2419N30	PIN	ピン	1
3	2416N187001	COLLAR	03-	1
4	2416N187002	COLLAR	03-	1
5	R16T0382	RING	039	4
6	2405P200C1	BUSHING	2' 9x2	2
7	Z058F09532	SEAL, FLOATING	0-8, 20-7x79	2
8	Z011G06000	O-RING	0-579	2
9	ZER2T04000	PLUG	2' 39	2

Our top roller assembly include all listed parts: 1, 2, 3, 4, 5, 6, 7, 8, 9.

4. Package information and Details:

Generally, Hitachi top rollers are packed in Pallet Covered With Thin Film and Sticker.

PACKAGE & DELIVERY



2 Pallets/Package



Each Pallet Covered With Thin Film and Sticker



Parts in the Container



Parts are delivered to Port

FAQ

Q Does the crawler crane Top roller and pin have heat treatment?

- Yes, all the top roller and pin undergo heat treatment, hardening and tempering.

Q What is the warranty period of the top roller?

- Crawler Crane Top Roller warranty period is 2000 working hours.
- After delivery, we will issue quality certificate. If the Top Roller are damaged under normal use in warranty period, new one will be send to you as soon as possible.

Q How long is the delivery time?

- We have parts storehouse covered the area of 3000m².
- Most parts are available in stock. If no stock, we will delivery the parts in 15-25 days after getting your final purchasing order.

Q Do you provide samples?

- Yes, we can offer part samples, but the cost shall be borne by you.

Q Can you produce parts according to sample or drawing?

- Yes, our engineers have rich experience in undercarriage parts, they will choose the suitable material and production technology for you.

Shandong Value Machinery Manufacture Co.,LTD

Add : NO.1 Tianzheng Road,Laishan District,Yantai City,Shandong Province,China

Tel : +86 535 6710636

Fax : +86 535 6710836

E-mail : info@valuetrackpart.com

Website : www.valuetrackparts.com